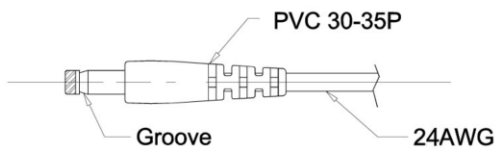
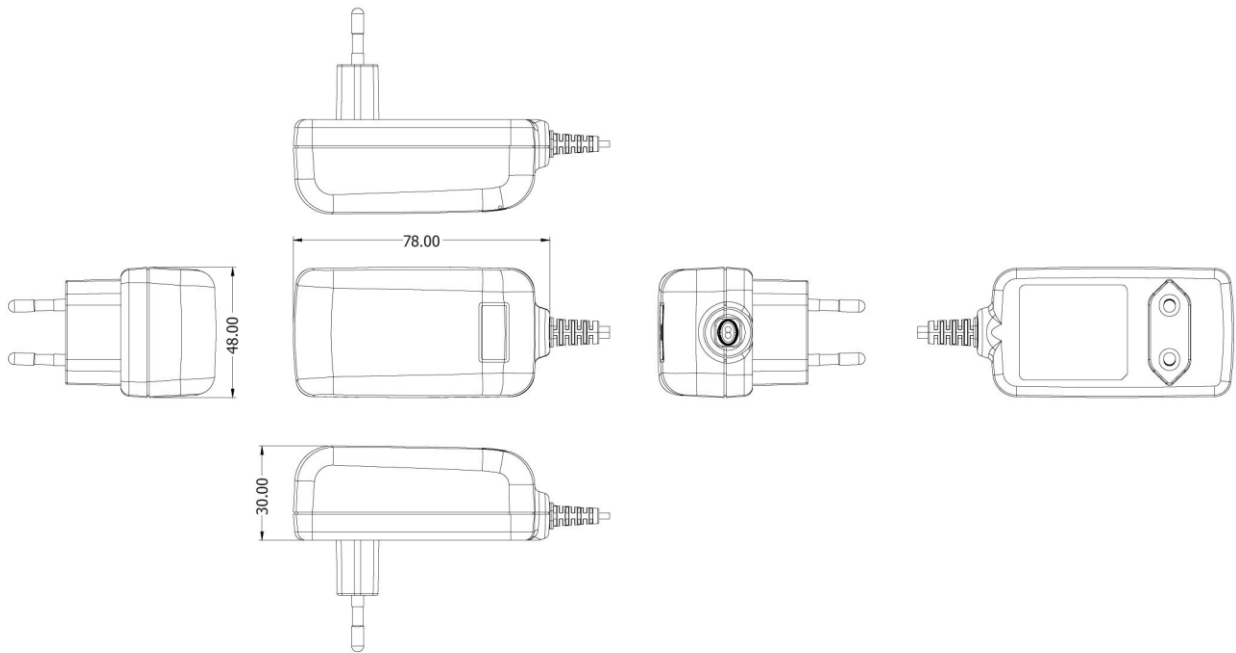
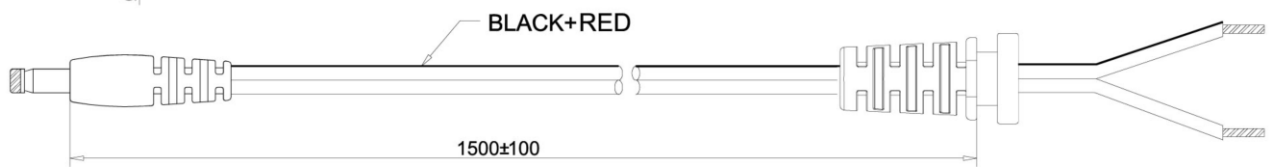
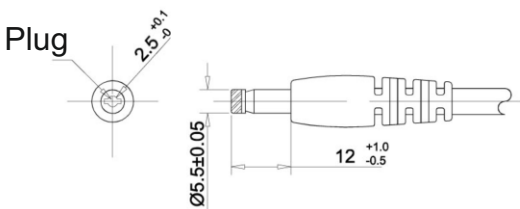


■ Mechanical Specification

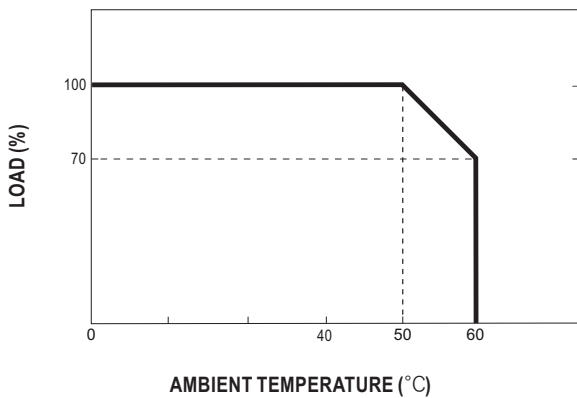


Standard plug: P11

P11	
P/N	OUTPUT
CENTER	+



■ Derating Curve



■ Static Characteristics(12V)

